

INLINE® SLIM SAS KABEL, SFF-8654 4I ZU 4X SATA 7-PIN, 12GB/S



InLine® Slim SAS Kabel zum Verbinden von (internen) SAS Geräten wie z. B. Festplatten an den Controller (HBA-Karten, RAID-Controller, JBOD, DAS, SANS)

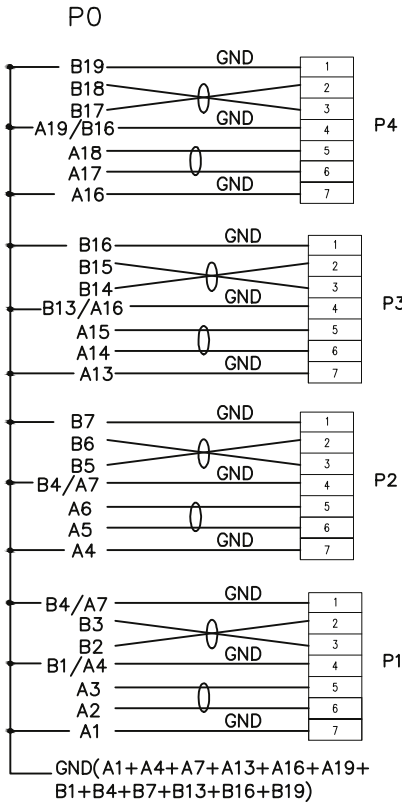
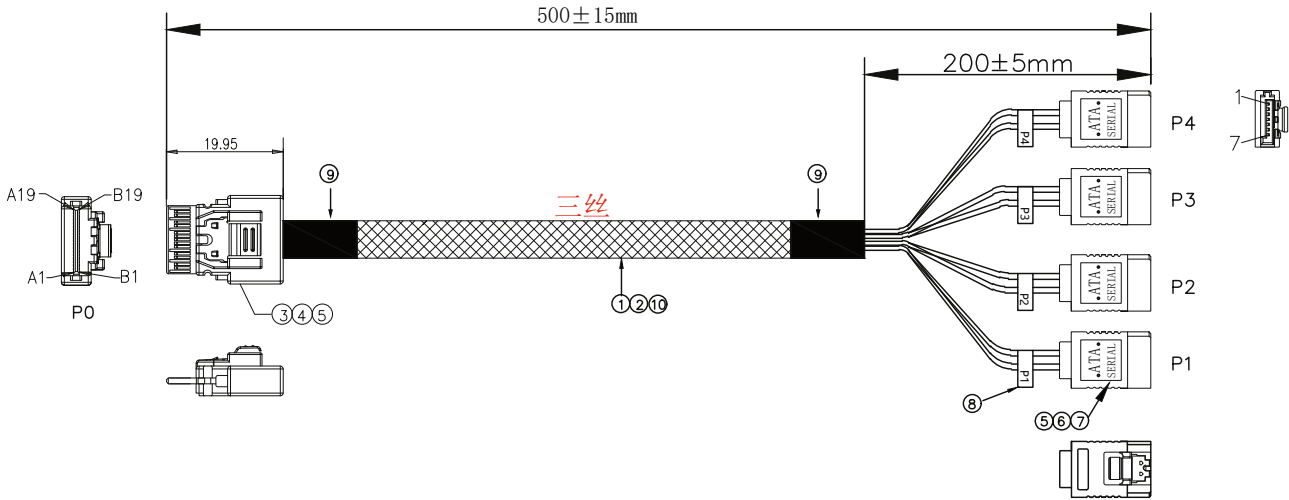
- Slim SAS 4i Stecker SFF-8654 an 4x SATA 7-pin Stecker
- Stecker mit Verriegelungs-Clip

- Konform zu den SAS 4.0 SFF-8654 Spezifikationen
- Für Datenübertragung bis 12Gb/s pro Kanal geeignet

Hinweis: Dieser Artikel wird auf Anfrage bestellt, Lieferzeit ca. 4 Wochen.

Technische Daten	
Bauweise:	Slim
Farbe:	Schwarz
Hersteller:	InLine®
Seite A:	SFF-8654 4i Stecker
Seite B:	SATA Stecker 7-pin (4x)
Signal:	Daten
Typ:	Slim SAS
UL:	Nein
Verpackungsart:	ESD-Bag ohne Eurolochung

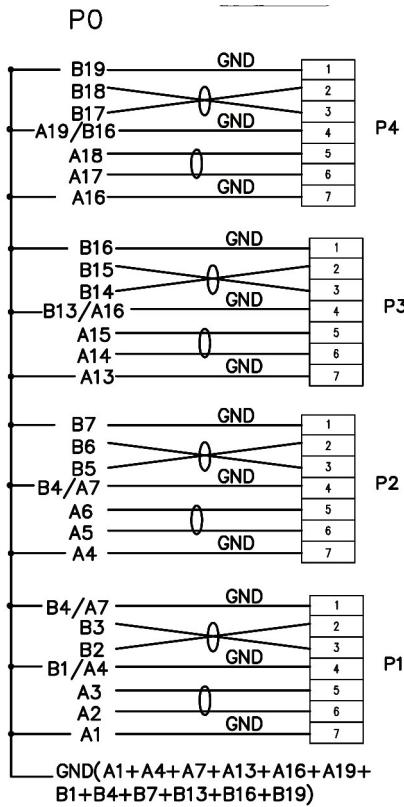
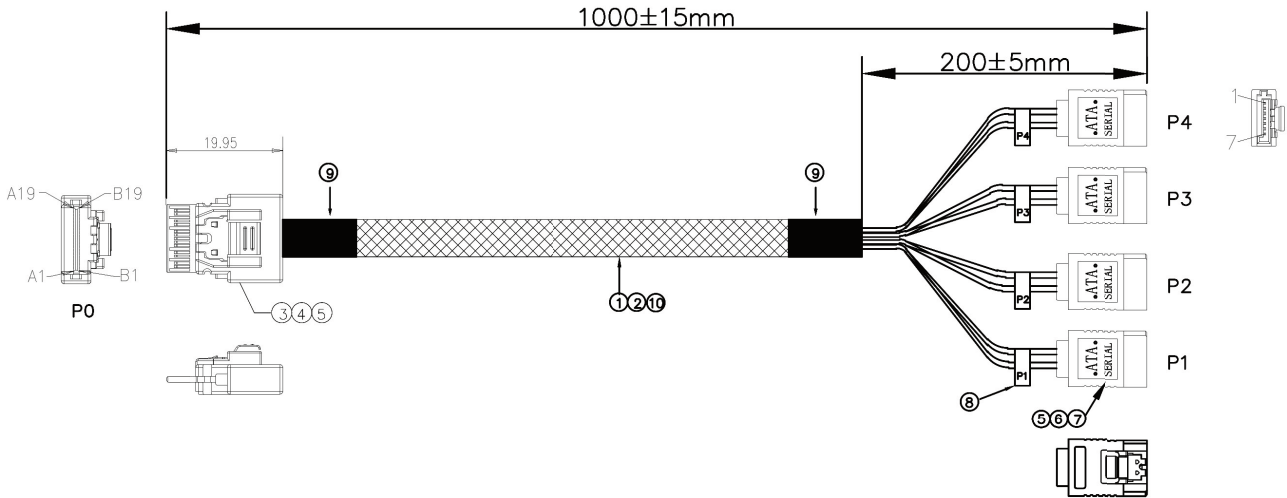
Art. Nr.	Länge	EAN
27646A	0,50 m	4043718288649
27646B	1 m	4043718288656



10	mesh grid	Black 00:10	A/R	M
9	Double sided tape	Black	A/R	M
8	Label	White background black text	4	PCS
7	plug contact	180° sata terminal connector assembly	4	PCS
6	Molding material	Black PBT-RG30 new material + 30%GF	A/R	Kg
5	Molding material	PE material transparent	A/R	Kg
4	groupware	8654 assembly, connector	1	PCS
3	PCB Board	thickness 1.0MM, FRO4, 4-layer board dielectric constant: Gold fingers plated 3U "FOR MINI SAS HD 4X(RED/GRFEN)"	1	PCS
2	Cable	UL1061 30AWG(1/Q254)0D:0.8mm	A/R	M
1	Cable	Blue single core wire SAS(30ANG1P254EW1000) ground wire 1000, printed	A/R	M
NO.	Name	Description	Q' TY	UNITS

ELECTRICAL CHARACTER:

- a. 100% OPEN&SHORT TESTING;
- b. WITHSTANDING VOLTAGE:DC 300V 0.01Sec;
- c. INSULATION RESISTANCE:10M Ohm(Min);
- d. CONDUCTIVE RESISTANCE:2 Ohm(Max).



10	mesh grid	Black 00:10	A/R	M
9	Double sided tape	Black	A/R	M
8	Label	White background black text	4	PCS
7	plug contact	180° sata terminal connector assembly	4	PCS
6	Molding material	Black PBT-RG30 new material + 30%GF	A/R	Kg
5	Molding material	PE material transparent	A/R	Kg
4	groupware	8654 assembly, connector	1	PCS
3	PCB Board	thickness 1.0MM, FRO4, 4-layer board dielectric constant: Gold fingers plated 3U "FOR MINI SAS HD 4X(RED/GRFEN)"	1	PCS
2	Cable	UL1061 30AWG(1/0254)00:0.8mm	A/R	M
1	Cable	Blue single core wire SAS(30ANG1P254EW1000) ground wire 1000, printed	A/R	M
NO.	Name	Description	Q' TY	UNITS

ELECTRICAL CHARACTER:

- a. 100% OPEN&SHORT TESTING;
- b. WITHSTANDING VOLTAGE:DC 300V 0.01Sec;
- c. INSULATION RESISTANCE:10M Ohm(Min);
- d. CONDUCTIVE RESISTANCE:2 Ohm(Max).