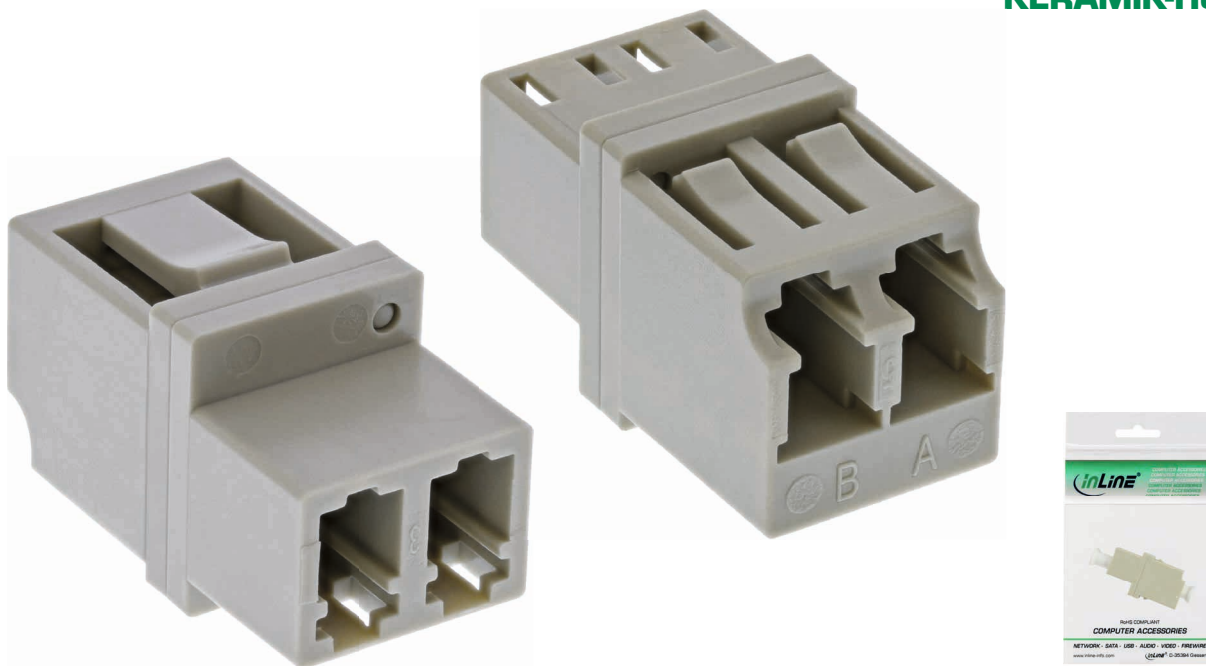


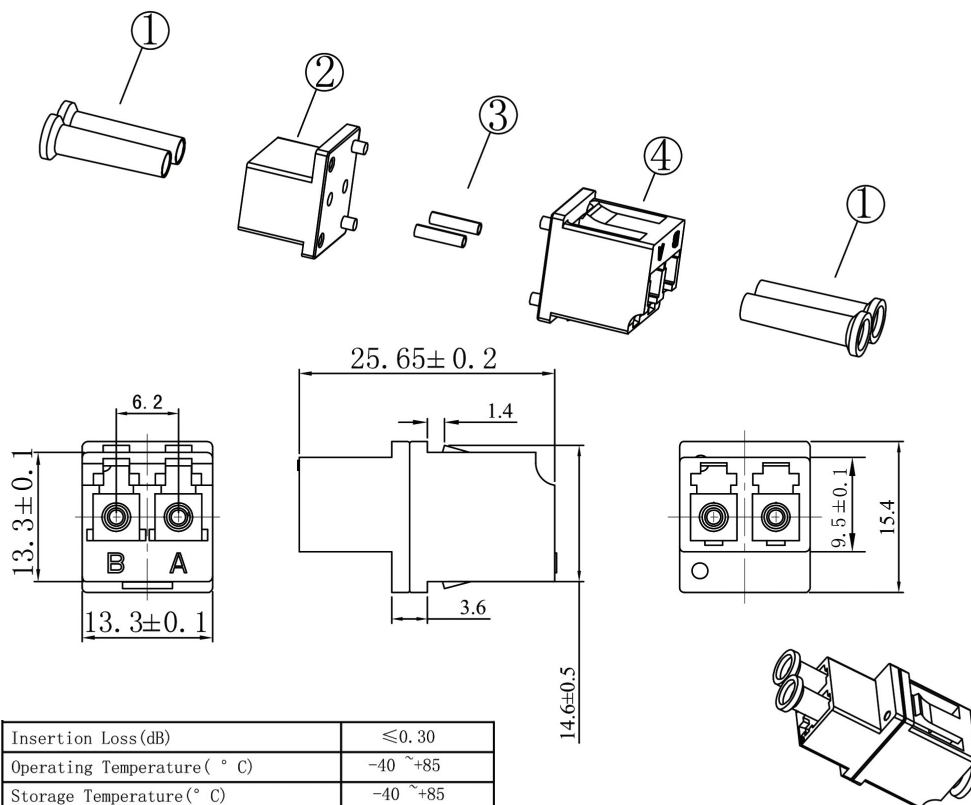
INLINE® LWL KUPPLUNG, DUPLEX LC/LC, MULTIMODE, BEIGE, KERAMIK-HÜLSE



LWL Glasfaser Kupplung Duplex LC/LC

- Multimode, duplex
- Gehäuse beige
- Ausbruch: 13,4x13,4mm

④	LC Beige Body RJ45 Footprint	1pcs
③	LC Sleeve Zr02 (Multi-Mode)	2pcs
②	LC Beige Body SC Simplex Footprint	1pcs
①	LC White Dust cap	4pcs
NO.	SPECIFICATION STANDARD	QT' Y



EAN: 4043718057801
ART.-NR.: 89989L