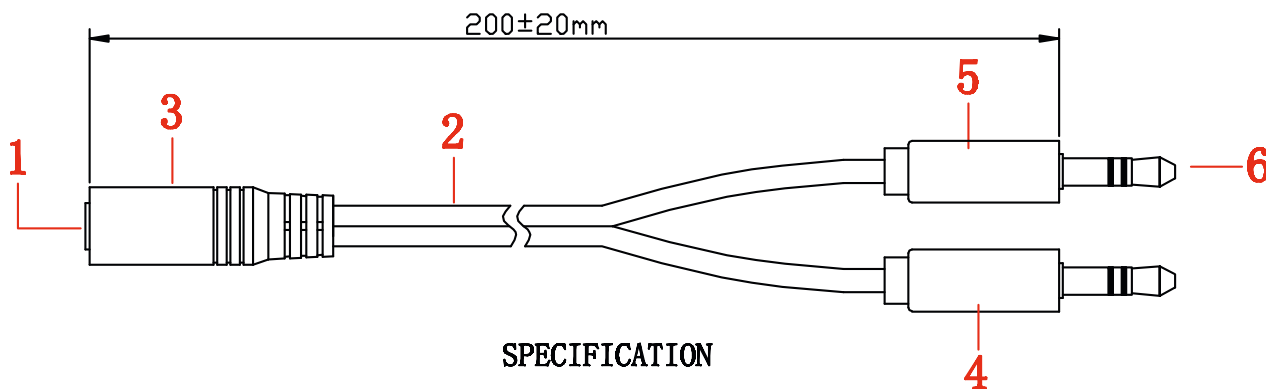


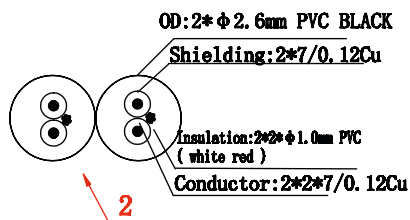


INLINE® AUDIO HEADSET ADAPTERKABEL, 2X 3,5MM KLINKE STECKER AN 3,5MM KLINKE BUCHSE 4POL. CTIA

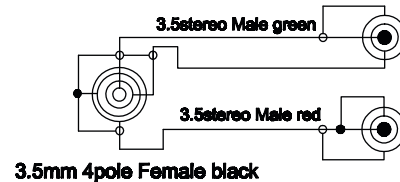


SPECIFICATION

- InLine® Audio Headset Adapterkabel, 2x 3,5mm Klinke Stecker an 3,5mm Klinke Buchse 4pol. CTIA Belegung
- Länge 0,15 m



WIRING DIAGRAM



6	CONNECTORS 2	3.5STEREO Male	2PCS
5	MOULDED3	PVC 45P Green	1*8g
4	MOULDED2	PVC 45P red	1*8g
3	MOULDED1	PVC 45P Black	1*8g
2	CABLE	2C Audio cable black	L±20
1	CONNECTORS 1	3.5mm 4POLE Female	1PCS
NO.	PARTS NAME	SPECIFICATION STANDARD	QTY

1. TESTING: 100% OPEN AND SHORT AND MISWIRE TEST.
2. CONDUCTION RESISTANCE: 5 OHM MAX
3. INSULATION RESISTANCE: 10 OHM MAX
4. WITHSTAND VOLTAGE: 300V
5. 100% RoHS COMPLIANT.

EAN: 4043718250103
ART.-NR.: 99312I